

## Assembly instruction

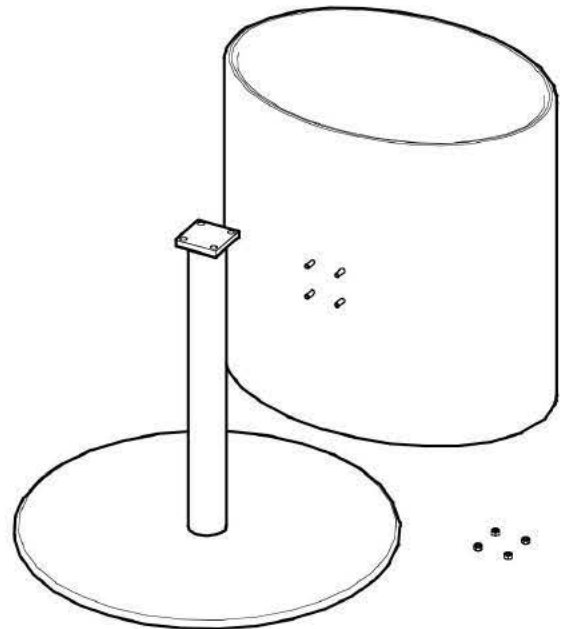
### RONDO STAND

RONDO STAND will be shipped unassembled.  
Less for reasons of space, rather than for reasons  
of transport security.

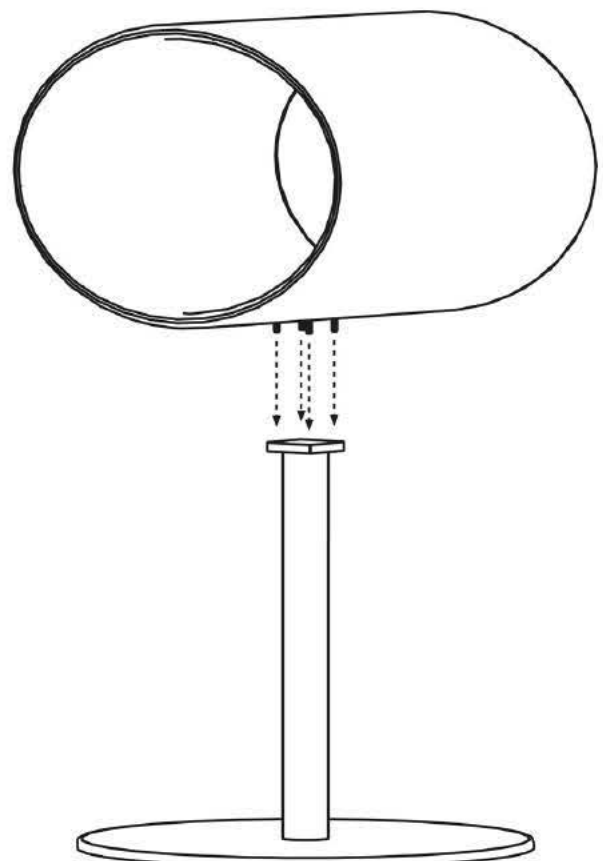
These few, easy to follow instructions,  
will walk you through the steps of assembling  
your new RONDO.

In the box there are:

1. The elliptic tube-shaped top part with  
the main cushion and the backside-cushion
2. The base made out of stainless steel
3. 4 security nuts with M6 thread.



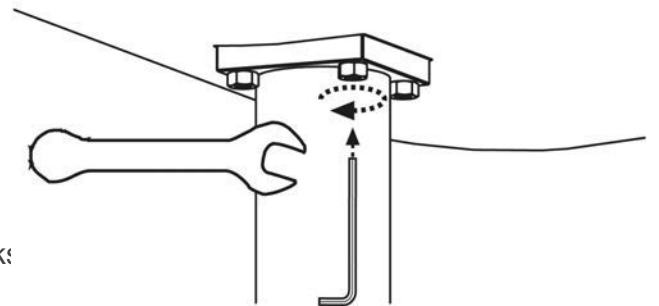
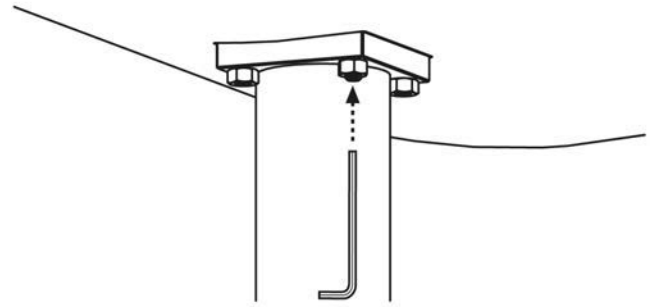
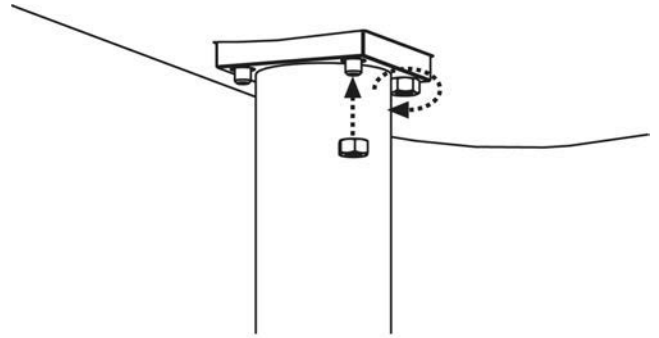
Set the top part in such a way on the mounting plate  
of the base, that the screws on the bottom of the top  
part fit into the drillings of the mounting plate.



Now screw the nuts in the clockwise direction on the screws and tighten them firmly with a size 10 wrench (metric system).

Should the set screw rotate, can it be fixed until the nut is tightened by using a Imbu key 3 mm.

A wrench and an Imbu key comes with the box.



Place the cushion in the top part.

If you want to build a cave for your cat, you may place the backside-cushion between the main-cushion and the wall of the top part at the back: backside-cushion is so designed that it holds by its elastic clamps.

We wish you and your cat a lot of fun with your New RONDO STAND.

