

Assembly instruction

Cosmo

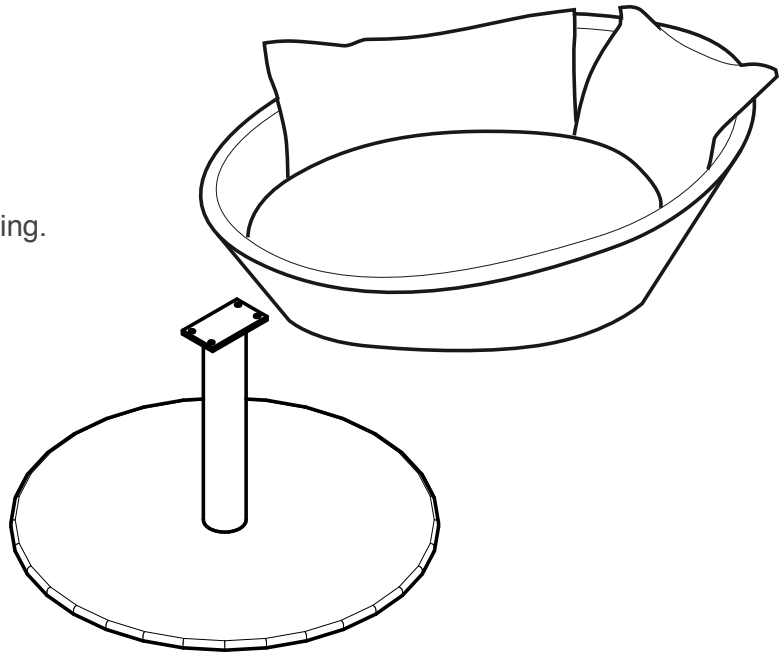
Cosmo will be shipped unassembled.
For reasons of space and for reasons
of transport security.

These few, easy to follow instructions,
will walk you through the steps of assembling.

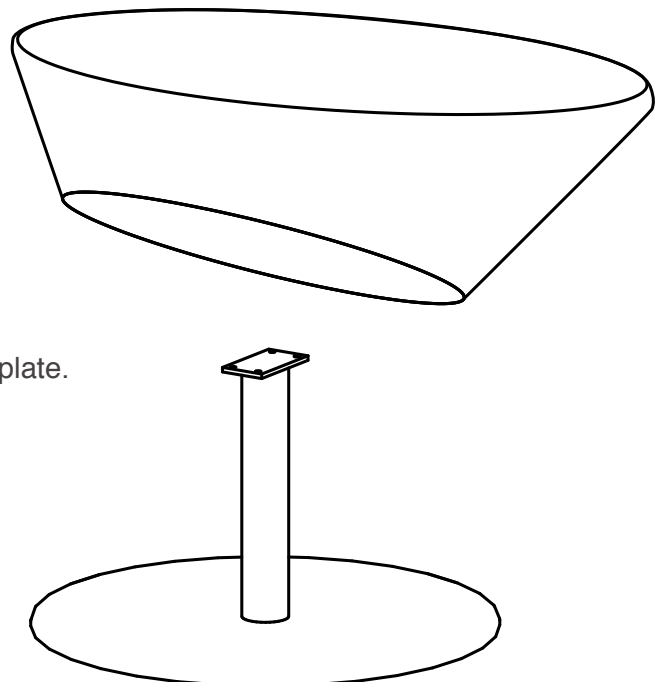
In one box there are:

The top bed part with the main cushion
and the backside-cushions.

In an other box there is the base
out of stainless steel.



Please unscrew the nuts of the screws at the
bottom plate of the top part and set the top part
in such a way on the mounting plate of the base,
that the screws fit into the drillings of the mounting plate.



Now screw the nuts in the clockwise direction on the screws and tighten them firmly with a size 10 wrench (metric system).

Should the set screw rotate, can it be fixed until the nut is tightened by using a Imbu key 3 mm.

Beside this the screw length can be adjusted.

A wrench and an Imbu key comes with the box.

Place the cushion in the top part.

We wish you and your cat a lot of fun with your COSMO cat bed.

